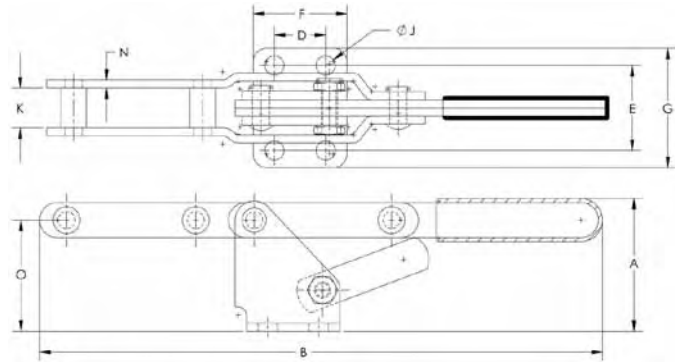


TOGGLE CLAMPS



Pull Action Clamps Part Numbers 34403

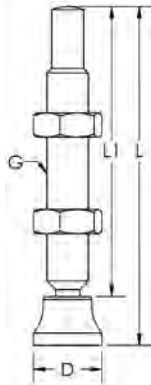
Drawing Movement: 4.00"
Bar Type: Fixed Hook
Flanged Base
Standard Handle



Part No.	A	B	D	E	F	G	J	K	N	O	Holding Capacity
34403	1.88	8.40	0.75	1.22	1.38	1.72	0.28	0.60	0.12	1.59	375

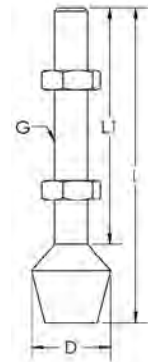
ACCESSORIES

Spindle Assemblies



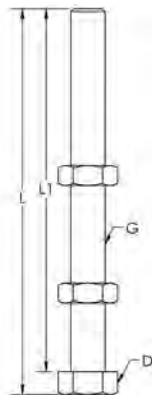
Part No.	D	G	L	L1
34541	0.63	3/8-16	3.62	3.22
34561	0.43	1/4-20	2.72	2.43
34540	0.47	5/16-18	3.48	3.11

Spindle Assemblies



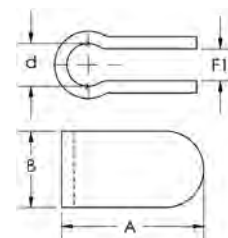
Part No.	D	G	L	L1
34533	0.88	3/8-16	3.44	2.60
34530	0.59	1/4-20	2.17	1.59
34532	0.49	5/16-18	3.05	2.31

Spindle Assemblies



Part No.	D	G	L	L1
34514	0.55	3/8-16	3.23	3.00
34515	0.74	1/2-13	3.31	3.00
34560	0.43	1/4-20	1.65	1.50
34512	0.49	5/16-18	2.71	2.50

Weldable Bolt Retainers



Part No.	A	B	F1	D
34550	1.20	0.64	0.25	0.32
34551	1.47	0.74	0.33	0.41
34552	1.70	1.19	0.38	0.67